



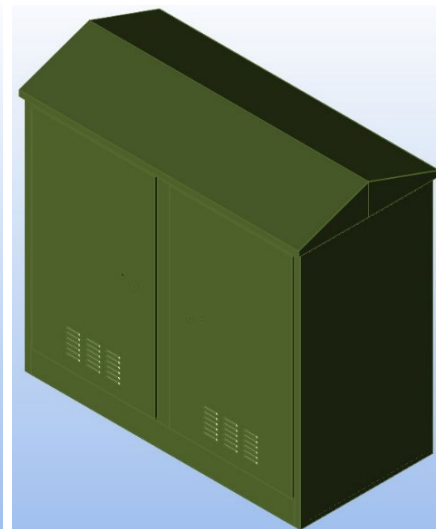
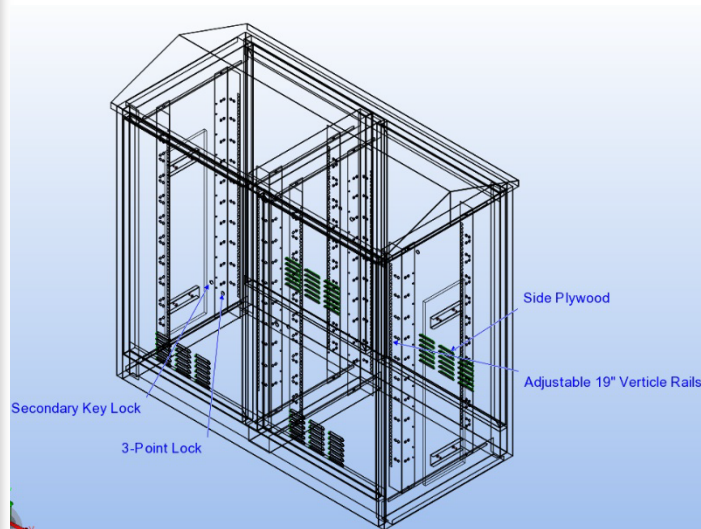
## KEY FEATURES

- Front and Rear double door Access.
- Fully adjustable vertical rails front and rear.
- Doors complete with 3-point lock and secondary security lock system.
- Apex roof.
- Large open base entry.
- Fully welded construction.
- Fully vented complete with two banks of 3-fan assembly.
- Also available in 304 or 316 stainless.
- Available in Black, Green or Grey as standard, other colours available on request.
- IP65 rated.
- Base bolt hole on all four sides, M20.

## Available Dimension

Height (mm)	Width (mm)	Depth (mm)	Capacity
1300	1350	650	40u
1300	1350	650	48u
1300	1350	800	40u
1300	1350	800	48u
1750	1350	650	60u
1750	1350	650	68u
1750	1350	800	60u
1750	1350	800	68u

## FOX – Double Bay Front Rear Access External Cabinet.



FDMS 650 double bay Front Rear Access Cabinets are designed for external use, manufactured from 2mm thick 4003 stainless, the fully welded Construction ensures the Cabinets are robust and suitable for heavy-duty applications.

The fully adjustable rail system allows the 19" vertical rails to be fitted at the front and rear of the cabinet which can be set by the customer offering a wide range of depths for equipment mounting.

FDMS 650 double bay Front Rear Access Cabinets are supplied with a set of 19" vertical rails Front and Rear, complete with cable management fitted along the side of the righthand vertical rails both front and rear.

Ventilation is provided through louvres manufactured within the front lower sections of the doors. The cabinets are supplied with three thermostatically controlled fans in the roof in both bays, all extraction points protected with mesh screen to prevent against vermin and insects.

FDMS 650 Cabinets are designed to be bolt directly to a concrete slab, increased height can be achieved for the likes of battery storage by adding an extension plinth.

Cabinet 650 double bay Front Rear access comes complete with 3-point locking secured by a secondary security key lock, as a single module it is part of a much larger family of our cabinets, please refer to our website [www.fdms.co.uk](http://www.fdms.co.uk) for details.

**Special Bespoke sizes also available to customer requirements.**

